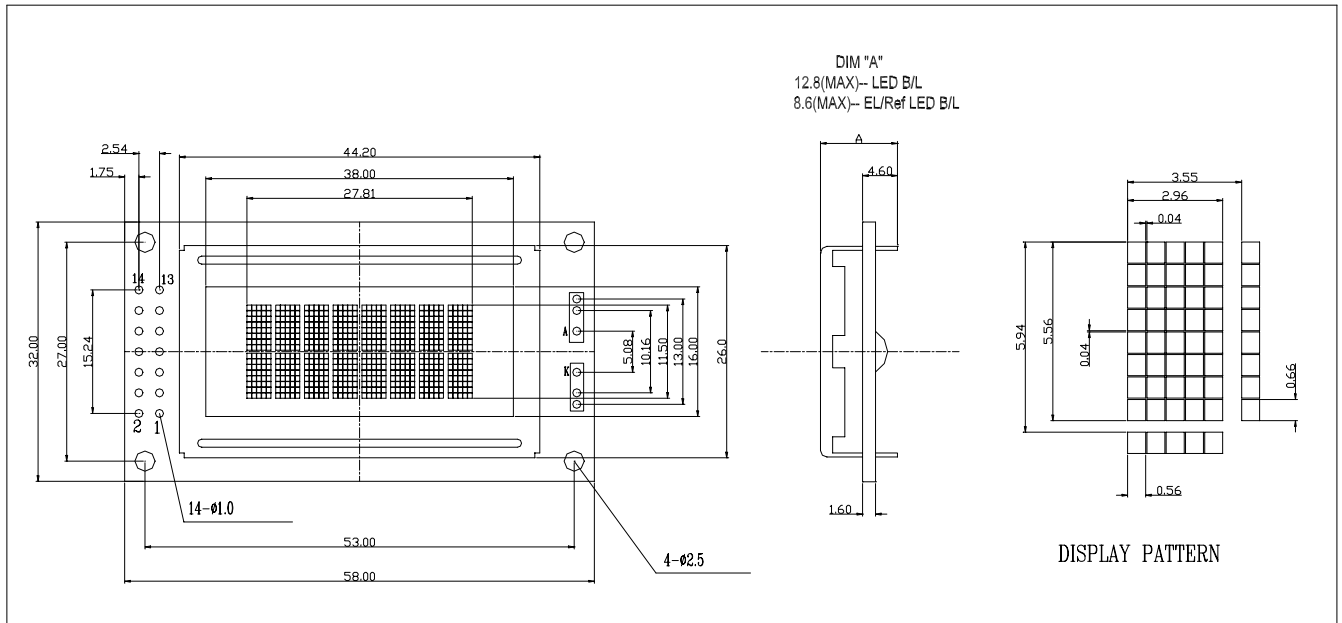


# ATM0802B SERIES ----- STANDARD CHARACTER LCD MODULES

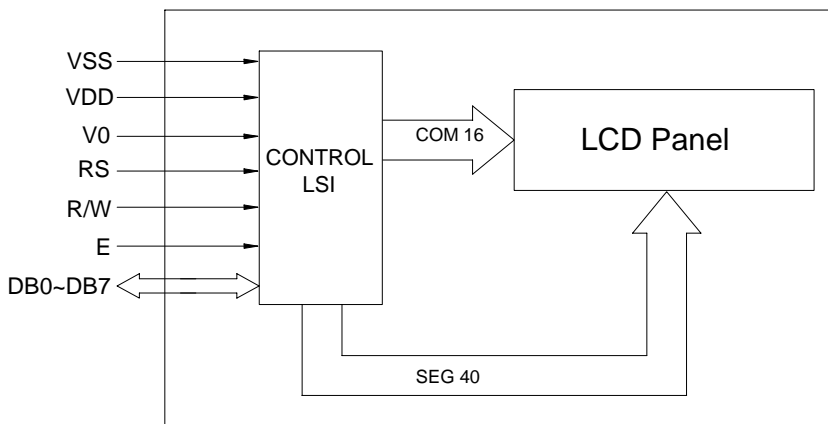
- \* 5 x 7 with Cursor Dots
- \* View Angle (6:00)
- \* 1/16 Duty, 1/5 Bias, 8CHAR x 2LINE
- \* LED Backlight (Yellow green)

- \* Transflective
- \* STN (Yellow green)
- \* Controller/Driver (S6A0069 )
- \* Operating Temp (- 20 ~70 )

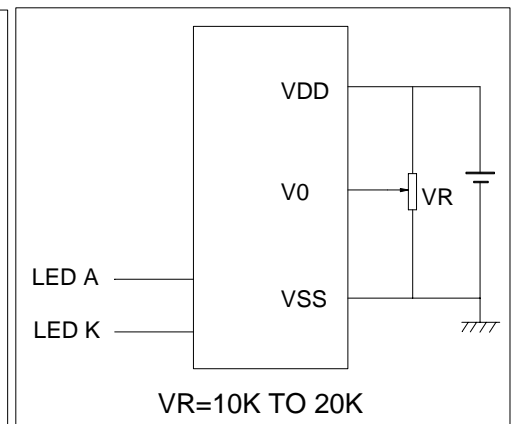
## External Dimensions



## Block Diagram



## Power Supply



## Mechanical Specifications

## Electrical Specifications

Item	Description(mm)	Item	Symbol	Min	Typ	Max	Unit
Size	58(L)x32(W)x12.8(H)	Supply Voltage for Logic	VDD	4.5	5.0	5.5	V
V.A	38.0(L)x16.0(W)	Supply Voltage for LCD	VLCD	3.9	4.4	4.9	V
Character Pitch	3.55x5.94	Supply Current for Logic	IDD		0.8	2.0	mA
Dot Size	0.56x0.66	Supply Current for LED	IF			70	mA

## Interface Signals---- J1

Pin	Symbol	Level	Description	Pin	Symbol	Level	Description
1	VSS	0V	Ground	7~14	DB0~DB7	H/L	Data Bus Line
2	VDD	+5V	Supply Voltage for Logic	A		--	Back Light anode:+4.2V
3	V0	--	Operating Voltage for LCD	K		--	Back Light cathode:0V
4	R/S	H/L	H: Data L: Instruction Code				
5	R/W	H/L	H: Data Read L: Data Write				
6	E	H,H-L	Enable Signal				