

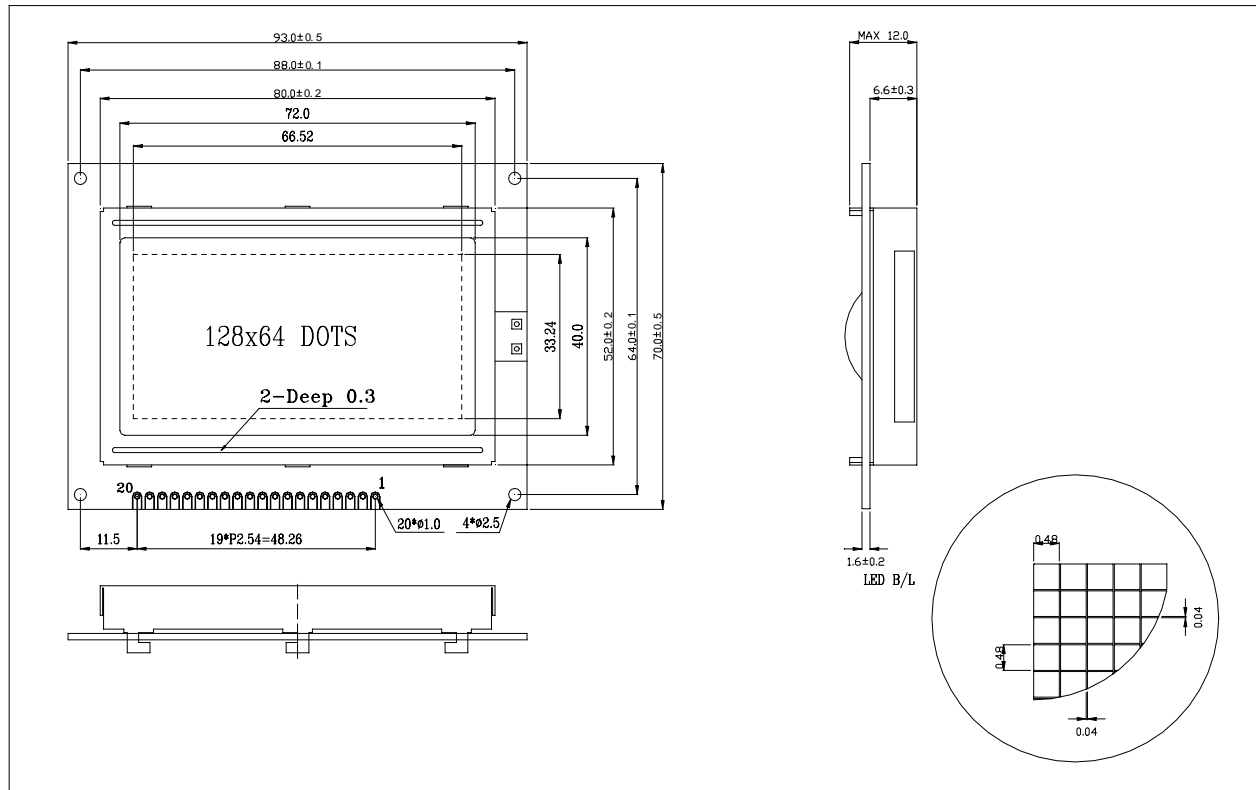
# ATM12864C/Z SERIES ----- GRAPHIC DOT MATRIX LCD

## MODULES

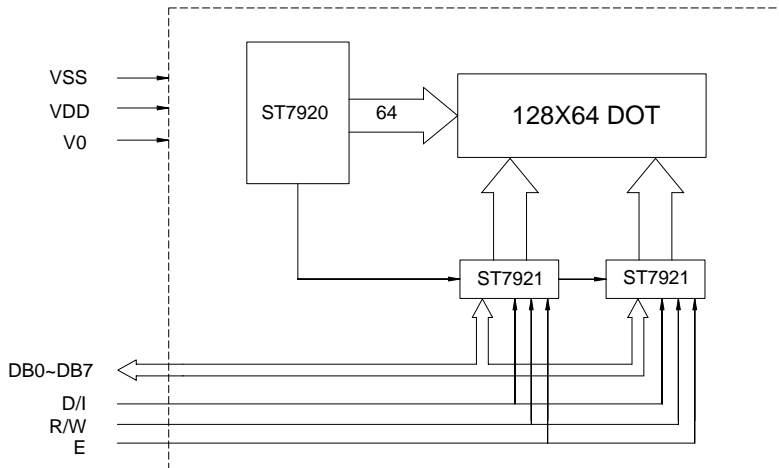
- \* 128 x 64 Dots
- \* View Angle (6:00)
- \* 1/32 Duty, 1/6.7 Bias
- \* LED Backlight (Yellow green)

- \* Transflective
- \* STN (Yellow green)
- \* Controller/Driver (ST7920, ST7921)
- \* Operating Temp (- 20 ~70 )

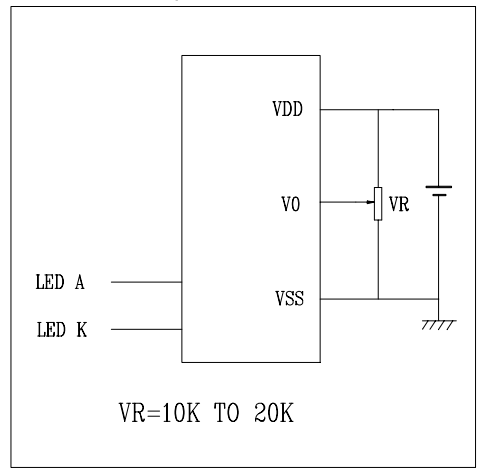
## External Dimensions



## Block Diagram



## Power Supply



## Mechanical Specifications

## Electrical Specifications

Item	Description(mm)	Item	Symbol	Min	Typ	Max	Unit
Size	93(L)x70(W)x12(H)	Supply Voltage for Logic	VDD	4.5	5.0	5.5	V
V.A	72.0(L)x40.0(W)	Supply Voltage for LCD	VLCD	5.5	6.0	6.5	V
Dot Pitch	0.52x0.52	Supply Current for Logic	IDD		1.0	3.0	mA
Dot Size	0.48x0.48	Supply Current for LED	IF			300	mA

## Interface Signals---- J1

Pin	Symbol	Level	Description	Pin	Symbol	Level	Description
1	VSS	0V	Ground	7~14	DB0~DB7	H/L	Data Bus Line
2	VDD	+5V	Supply Voltage for Logic	15~18	NC		
3	V0	--	Operating Voltage for LCD	19	A	--	Back Light anode:+5V
4	R/S (CS)	H/L	H: Data L: Instruction Code	20	K	--	Back Light cathode:0V
5	R/W(SID)	H/L	H: Data Read L: Data Write				
6	E(SCLK)	H,H-L	Enable Signal				